

Statutory Declaration (Registration of Fittings)

TSK-1008

I. Declaration Information

I, Joel Feldman
Vice President, Engineering
(company title e.g. vice president, plant manager, chief engineer)
(must be in a position of authority in the manufacturing plant where the fitting is produced)
of: Swagelok Company
(name of manufacturer)

In this space, show facsimile of manufacturer's logo or trademark as it will appear on the fitting.



located at: Headquarters: 29500 Solon Road Solon, Ohio 44139 USA
(Plant Address - Apt/Street) (City, Prov) (Postal Code)

do solemnly declare that the fittings listed hereinunder, which are subject to the *Saskatchewan Boiler and Pressure Vessel Safety Act* (check one)

- Comply with the requirements of ASME B31.1 and ASME B31.3 which specifies the dimensions, (title of recognized North American Standard) Materials of construction, pressure / temperature ratings and identification marking of the fittings, or
- Are not covered by the provisions of a recognized North American standard and are therefore manufactured to comply with _____ as supported by the attached data which identifies the dimensions, materials of construction, pressure / temperature ratings and the basis for such ratings, and the marking of the fittings for identification.

I further declare that the manufacturer of these fittings is controlled by a quality control program which has been verified by the following authority, BSI as being suitable for the manufacturer of these fittings to the stated standard. The fittings covered by this declaration, for which I seek registration, are Category A Fitting

In support of this application, the following information, calculations and / or test data are attached:



ISO 9001:2015 Certificate, Attachment A, Attachment B, Catalog Information and other Support Documents

II. Declaration

DECLARED before me at Solon In the state of Ohio
this 10th day of March, 2019
Brenda Blammel (print name) _____ (Signature)
Brenda Blammel
(Signature of Commissioner of Oaths)

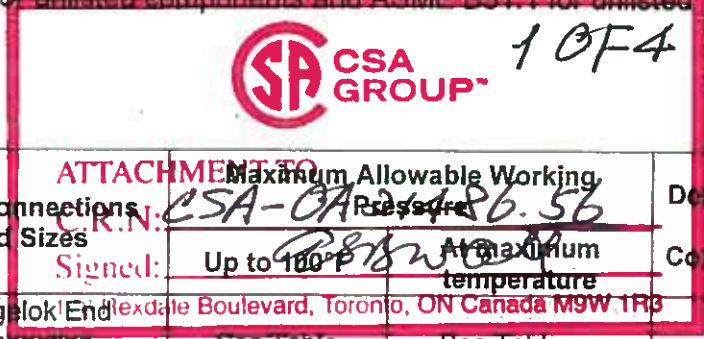
III. Office Use Only

To the best of my knowledge and belief, the application meets the requirements of the *Boiler and Pressure Vessel Safety Act* and CSA B51, Clause 4.2, and is accepted for registration in Category A

CSA-0A21486.56 Jul-23-2019 Jun-10-2029
(Registration Number) (Date Registered - MM DD YYYY) (Expiry Date - MM DD YYYY)
(For the Administrator / Chief Inspector) A. BANWATT

Attachment B. Scope of Registration for Swagelok 2507 Super Duplex, (ASTM A479), Tube Fittings (Category A)

This document represents the scope of Swagelok 2507 Super Duplex Tube Fittings covered by this submission for CRN approval. These Swagelok Tube Fittings have been evaluated in accordance with ASME B31.3 for ~~unlisted components~~ and ASME B31.1 for ~~unlisted components~~.



Summary Table

Product Description or Series	Material	Port Connections and Sizes	Maximum Allowable Working Pressure		Design Code of Construction	
			Up to 100°F	At maximum temperature		
Gaugeable Tube Fittings and Adapter Fittings	Alloy 2507 (ASTM A479)	Swagelok End Connection 1/4, 3/8, 1/2, 5/8, 3/4 inches	See Table below	See Table on Page 1	ASME B31.3 (Unlisted Components) ASME B31.1 (Unlisted Components)	
		NPT Male 1/16 - 1 inch	ASME B31.3	15,000 - 10,000 psig		12,150 - 8100 psig @ 482°F (250°C)
			ASME B31.1	15,000 - 8900 psig		12,150 - 7209 psig @ 482°F (250°C)
		NPT Female 1/16 - 1 inch	ASME B31.3	13,000 - 8600 psig		11,530 - 6966 psig @ 482°F (250°C)
			ASME B31.1	11,000 - 7300 psig		8910 - 5913 psig @ 482°F (250°C)
UN / UNF(SAE) Stud (ST) 1/8 - 3/4 inch		4500 - 3600 psig	4500 - 3600 psig @ 400°F (204°C) With FKM O-ring			

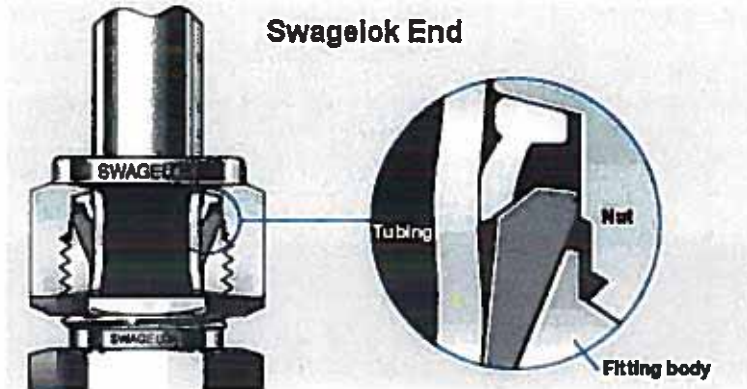
2507 Swagelok Tube Fitting Pressure Rating Table

Swagelok End Connection Size	Maximum Allowable Working Pressure (1)			
	B31.3 ratings up to 100°F	B31.1 ratings up to 100°F	B31.3 ratings @ maximum temperature 482°F (250°C)	B31.1 ratings @ maximum temperature 482°F (250°C)
1/4	15,000 psig	12,900 psig	12,150 psig	10,449 psig
3/8	12,700 psig	10,922 psig	10,287 psig	8847 psig
1/2	12,900 psig	11,094 psig	10,449 psig	8986 psig
5/8	10,100 psig	8686 psig	8181 psig	7036 psig
3/4	9380 psig	8067 psig	7598 psig	7023 psig

Note (1): Values based on thickest wall alloy 2507 tubing per Swagelok Tubing Data Sheet MS-01-107. Thinner tubing may be used but in all cases the ratings are less than, or equal to, those shown in the table.

Product Description

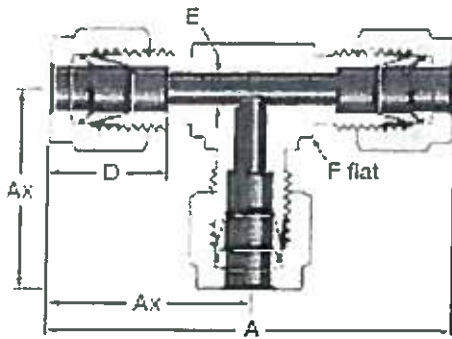
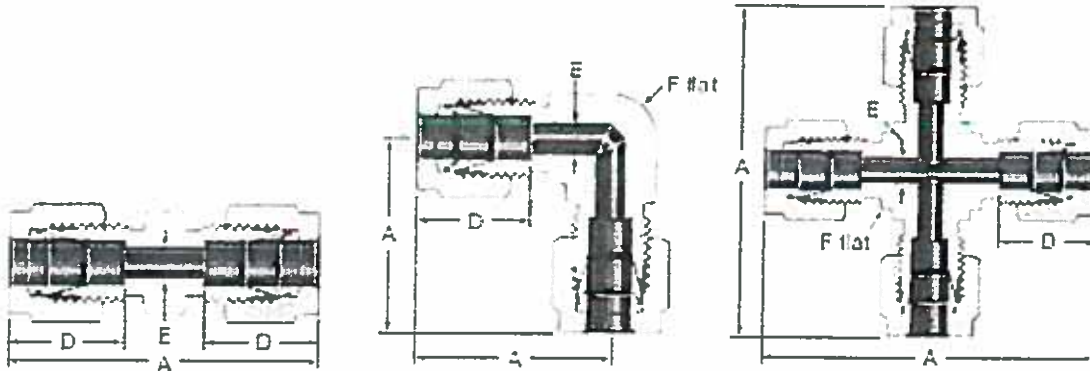
Swagelok Fittings are furnished in a variety of configurations and shapes (straight, elbow, tee or cross). Swagelok Fittings consist of at least one Swagelok End – a proprietary two-ferrule mechanical-grip design. The “Configurations” section covers a variety of other end connections.



THIS IS PART OF
CRN 0A21486J
Technical Standards & Safety Authority
Boilers & Pressure Vessels
Safety Program

Configurations

1. Unions.

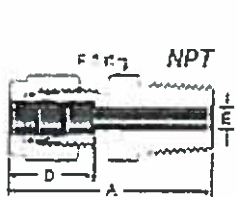




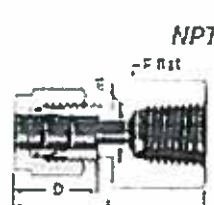
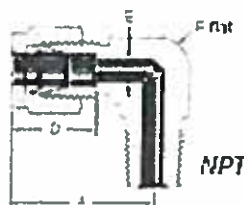
2 OF 4

ATTACHMENT TO
 C.R.N.: CSA-CA21486.56
 Signed: [Signature]
 178 Rexdale Boulevard, Toronto, ON Canada M9W 1R3

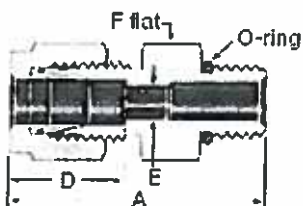
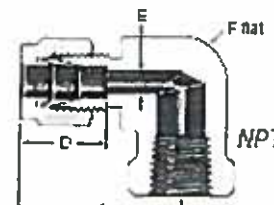
2. Male and Female connectors / adapters.



NPT Male Connectors



Female Connectors



SAE/MS Straight Thread Stud (ST)

PART OF
 CA 21486.56
 Canadian Standards & Safety Authority
 Pressure Vessels
 Safety Program

Product Options:

Some of the product options listed below affect the pressure-temperature ratings in the "Scope of Registration" section above, but in all cases the PRESSURE ratings are the same or less than those shown in the table.

1. Tapered pipe threads (NPT) with sealant -
 - a. Curable resin with PTFE
 - b. PTFE tape
2. Bored through fittings

Additional options that do not affect pressure and/or temperature ratings may be made available within the scope of this approval. Examples of these would include the following:

1. Special marking
2. Special cleaning
3. Wire drills
4. bulkhead configurations
5. Snubbers/frits and orifice plates

All of the above options, those that affect pressure and/or temperature ratings and those that do not, are within the scope of this approval.

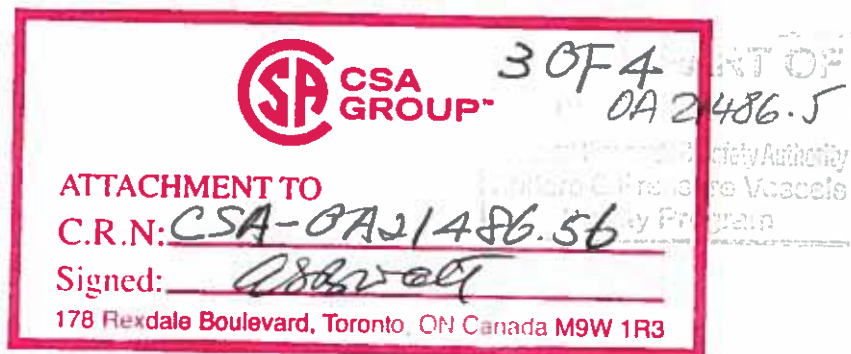
Quality System

The Swagelok Company quality system complies with the requirements of ISO 9001:2015. The Swagelok Company maintains BSI Registration Number FM 01729, which applies to all locations listed on the Certificate.

References

The product catalog does not represent the full scope of the registration but rather details some of the most common options.

- Gaugeable SAF 2507 Super Duplex Tube Fittings MS-01-174
- Swagelok Tubing Data Sheet MS-01-107, Rev Q



Attachment A. Swagelok Manufacturing Locations

This document lists the Swagelok locations where end item or component level manufacturing activities take place.

Swagelok Company 29500 Solon Road Solon, Ohio 44139 USA	Swagelok Company (Falon 1) 348 Bishop Road Highland Heights, Ohio 44143 USA
Swagelok Company (Highland) 318 Bishop Road Highland Heights, Ohio 44143 USA	Swagelok Company (Falon 2) 358 Bishop Road Highland Heights, Ohio 44143 USA
Swagelok Company (OFC) 29495 F.A. Lennon Drive Solon, Ohio 44139 USA	Swagelok Company (HPF) 6050 Cochran Road Solon, Ohio 44139 USA
Swagelok Company (Atlantic) 26651 Curtiss Wright Parkway Willoughby Hills, Ohio 44092 USA	Swagelok Company (Snow Metal) 6060 Cochran Road Solon, Ohio 44139 USA
Swagelok Company (Micro) 26653 Curtiss Wright Parkway Willoughby Hills, Ohio 44092 USA	Swagelok Company (Alfred) 29500 Ambina Drive Solon, Ohio 44139
Swagelok Hose Services Company (SHSC) 29900 Solon Industrial Parkway Solon, Ohio 44139	Swagelok Company (Strongsville) 15400 Foltz Road Strongsville, Ohio 44119
Swagelok (China) Fluid System Technologies Ltd. Changshu Export Process Zone Changshu Economic Development Zone Changshu, Jiangshu 215513 China	Swagelok Company A.G. (European Technology Center) St. GallerstraBe 84 Lachen, Switzerland 8853 Switzerland
Swagelok Limited Tromode IM4 4RA Isle of Man	

THIS IS PART OF
0A21486-J
Professional Engineer Safety Authority
Dillon & Proulx & Macneil
Safety Program



4 OF 4

ATTACHMENT TO
C.R.N.: CSA-0A21486.56
Signed: [Signature]
 178 Rexdale Boulevard, Toronto, ON Canada M9W 1R3